



AITANA REFILLABLE
SOAP DISPENSER



REF
EAN

AC70000
8427950300516
White



AC70300
8427950363597
Silver



REF
EAN

AC70600
8427950349003
Black



AC70600-MT
8427950349003
Matt black



REF
EAN

AC70700
8427950349126
Anti-bacterial white

General description

- Liquid soap dispenser w/ refillable tank.
- Transparent 0.9 L SAN tank
- Key lockable and white cover.
- Push button with anti-corrosion and anti-drip valve.
- Easy to check the remaining soap.

Comments

- Push-button pressure: 2.4 kg
- Dose per service: 1 g.
- 0.9 l capacity

Parts and materials

AC70000 / AC70300 / AC70600 / AC70600-MT

- Base, cover and push button: ABS plastic.
- Tank: SAN plastic.

AC70700

- Base, cover and push button: ABS anti-bacterial plastic.
- Tank: SAN plastic.

Colour/Finish

AC70000 / AC70700

- Tank: transparent.
- Cover and base: white.
- Push button: grey.

AC70300

- Tank: transparent.
- Cover: silver grey (high-solid double-layer acrylic finish).
- Push button and base: black.

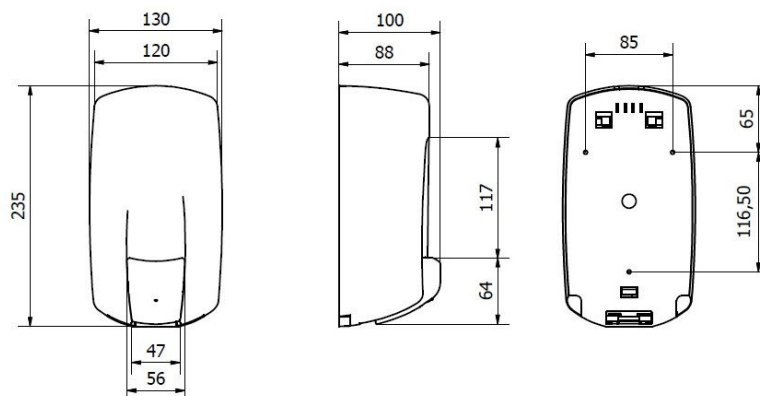
AC70600

- Tank: transparent.
- Cover and base: black.
- Push button: black.

AC70600-MT

- Tank: transparent.
- Cover and base: matt black.
- Push button: black.

Dimensions (mm)



Dimensions without packaging

AC70000 / AC70300 / AC70600 / AC70600-MT / AC70700			
Height	Width	Depth	Weight
235 mm	130 mm	100 mm	0.410 kg

Dimensions with packaging

AC70000 / AC70300 / AC70600 / AC70600-MT / AC70700			
Height	Width	Depth	Weight
242 mm	133 mm	120 mm	0.480 kg

Package

- Package with one item for all the references.
- Repackage with ten items for all the references.

Installation

AC70000/ AC70300 / AC70600 / AC70600-MT / AC70700

- With screws and plugs - (Accessories included: 1 transparent dispenser key, 3 plugs and 3 screws).
- It can be installed with adhesive (not included).